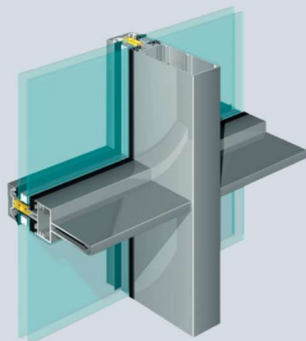




Hansen



Facade system

SAPA 4150

The **4150 SSG Structural Glazing facade system** consists of **50 mm wide insulated aluminium mullions and transoms**. The system is based on double glazing units with a warm edge and a specially developed mounting profile for installation fittings. The glass panes are anchored in the mullions and transoms with the help of installation fittings. The weather seal between the glass panes is done with the use of an approved sealing compound, usually black. The design of the inside gasket and the insulating strip optimises the insulation of the profiles.

Design:	Several mullions and transoms rectangular (profile depth 35-300mm), I- and T-shaped profiles give a lot of freedom in interior design.
Profiles:	4150 is a very flexible insulated facade system with two-stage sealing. The system offers a large degree of choice with its wide range of exterior decorative profiles and interior mullions/transoms.
Variants:	4150 STD, 4150 SX, 4150 PH, 4150 SSG
Air permeability:	4150 STD: Class AE1200 4150 SX: Class AE1200 4150 PH: Class AE 1200 4150 SSG: Class A4
Water tightness:	Class RE1200
Wind load classification:	Design wind load 2000Pa (L/200, max 15mm)
Burglar resistance:	RC2, RC3

Technical specification

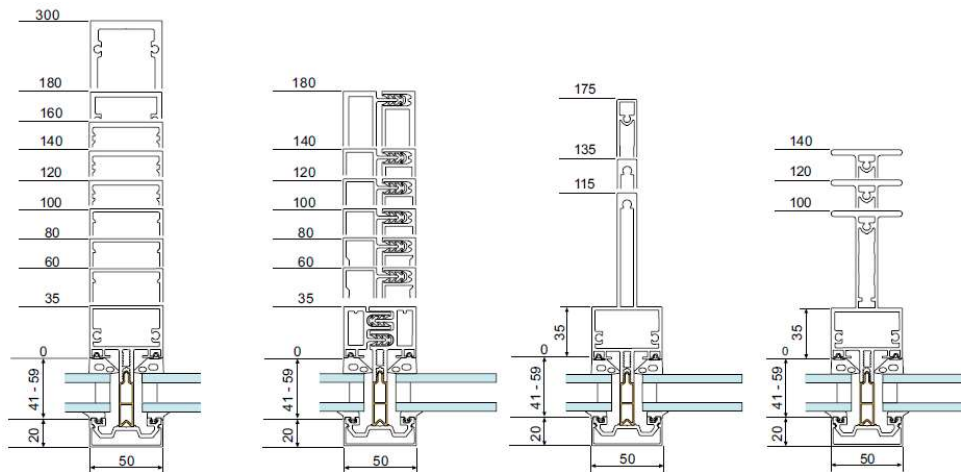
Mullion and transom profiles	Rectangular width/depth	50/35-300mm
	Split profile width/depth	50/115-175mm
	I-profile width/depth	50/100-140mm
	T-profile width/depth	50/115-175mm
Glazing range		4150 STD : 4-10mm (single glass), 23-48mm (insulating glass); 4150 SX, 4150 PH: 33-64mm 4150 SSG: up to 44mm (2-layer glass) and up to 60mm (3-layer glass)
Weight individual glass area max		250kg (800kg for 4150 SX and 4150PH)

4150 STD



The 4150 facade system consists of 50 mm wide insulated aluminium profiles. The design of the inside gasket and the thermal break optimises the insulation of the profiles.

The profiles are available in a number of different depths. They are designed so as to ensure stability under the dimensioning loads and are joined together with hidden joints. The system can be easily complemented with opening units. The U value of a facade must be calculated for the entire facade.



4150 with rectangular mullion/transom

4150 with split mullion

4150 with T-shaped mullion/transom

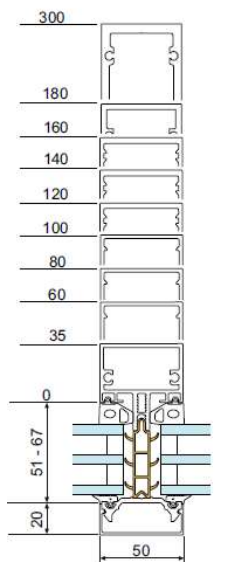
4150 with I-shaped mullion

4150 SX

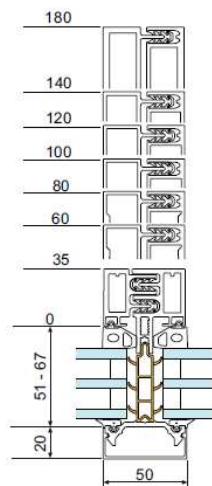


The 4150 facade system consists of 50 mm wide insulated aluminium profiles. The design of the inside gasket and the thermal break optimises the insulation of the profiles.

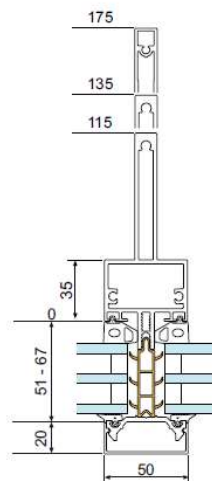
The profiles are available in a number of different depths. They are designed so as to ensure stability under the dimensioning loads and are joined together with hidden joints. The system can be easily complemented with opening units. The U value of a facade must be calculated for the entire facade.



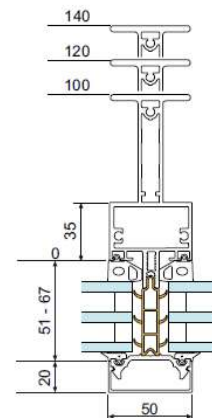
Facade 4150 SX with rectangular mullion/transom



Facade 4150 SX with split mullion



Facade 4150 SX with T-shaped mullion/transom



Facade 4150 SX with I-shaped mullion

4150 PH

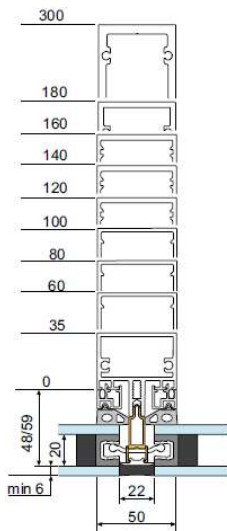
Sapa Facade 4150 PH meets the stringent Passive House energy requirements covered by the German certification institute ift Rosenheim. The system achieves low $U_{cw} = 0,66 \text{ W/m}^2 \text{ K}$.

4150 SSG

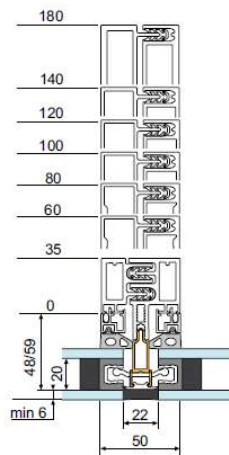


The 4150 SSG Structural Glazing facade system consists of 50 mm wide insulated aluminium mullions and transoms. The system is based on double glazing units with a warm edge and a specially developed mounting profile for installation fittings. The glass panes are anchored in the mullions and transoms with the help of installation fittings. The weather seal between the glass panes is done with the use of an approved sealing compound, usually black. The design of the inside gasket and the insulating strip optimises the insulation of the profiles.

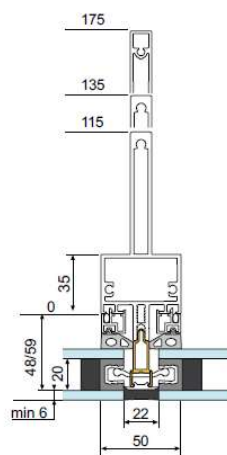
The mullions are designed so as to ensure stability under the dimensioning loads and are joined together with hidden joints. The system also includes opening units, which can be easily integrated. The U value of a facade must be calculated for the entire facade..



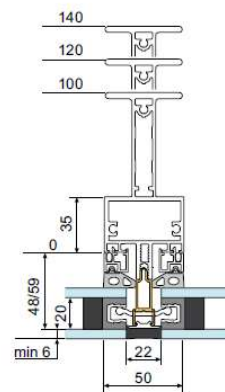
4150SSG
with rectangular
mullion/transom



4150 SSG
with split mullion



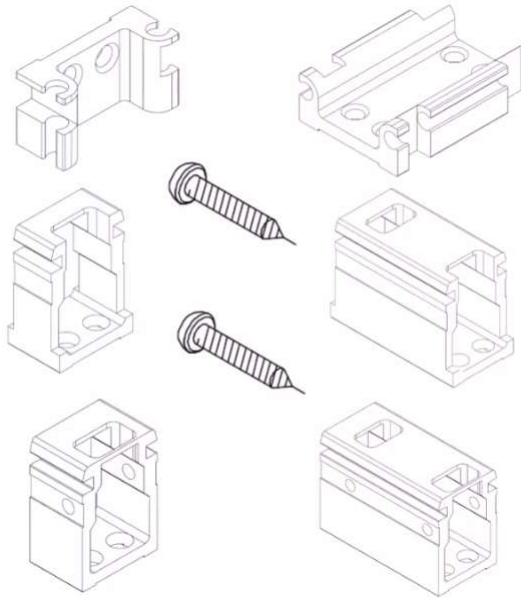
4150 SSG
with T-shaped
mullion/transom



4150 SSG
with I-shaped
mullion

Connectors

Sapa 4150 STD



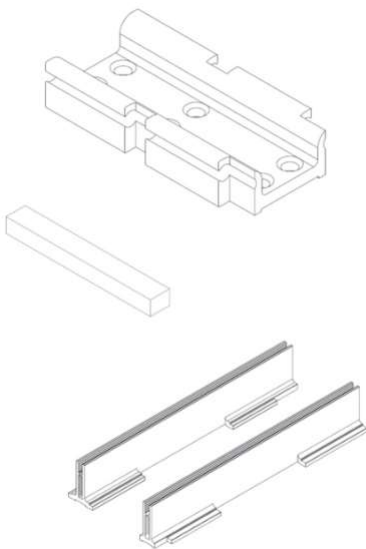
Q=40kg for connectors 11308, 11314,
11317

Q=75kg for connectors 11309, 11315,
11318

Q=125kg for connectors 11310, 11316,
11319

Glass support 12066 or 12067

Sapa 4150 SX



Q=250kg for connectors 11335 + guide
11336 (glass support 12568 or 12569)

Q=400kg for connectors 11335 + guide
11337 (glass support 12572 or 12573)